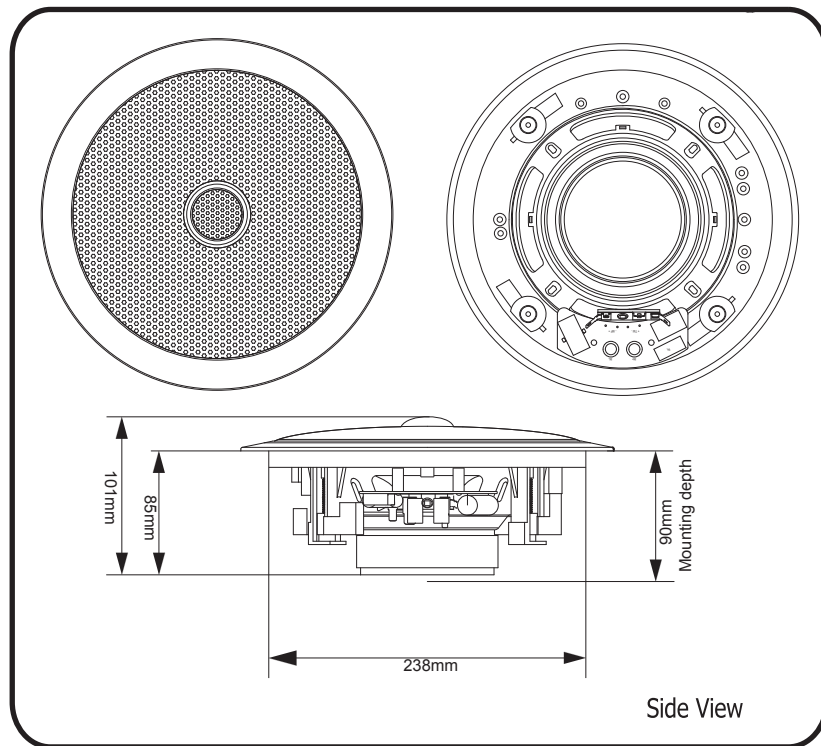




952.543UK

2 WAY CEILING SPEAKER



www.avsl-adastra.com

952.543UK

Technical Specifications

Rated power	60 Watts RMS
Driver impedance	8 Ohms
Effective frequency range (BS6840)	45-20 KHz
S.P.L.@1m, 1watt, dB, Test Signal Bandwidth 100Hz - 10KHz	87 Hz
S.P.L.@ Full power Octave Bandwidth	87 dB(± 2 dB)
Acoustic Power (dB, PWL@1 watt) 1k/2kHz	90/90 dB
Overall diameter	Φ 271 mm
Net weight	1.7 Kgs
Colour/Finish	White
Material	Plastic Baffle ABS with UV inhibitors Metal Driver Chassis & Grille
Mounting Depth	90mm
Cut-out	Φ 238mm

