



TPS Series

Tripod Projector Screen

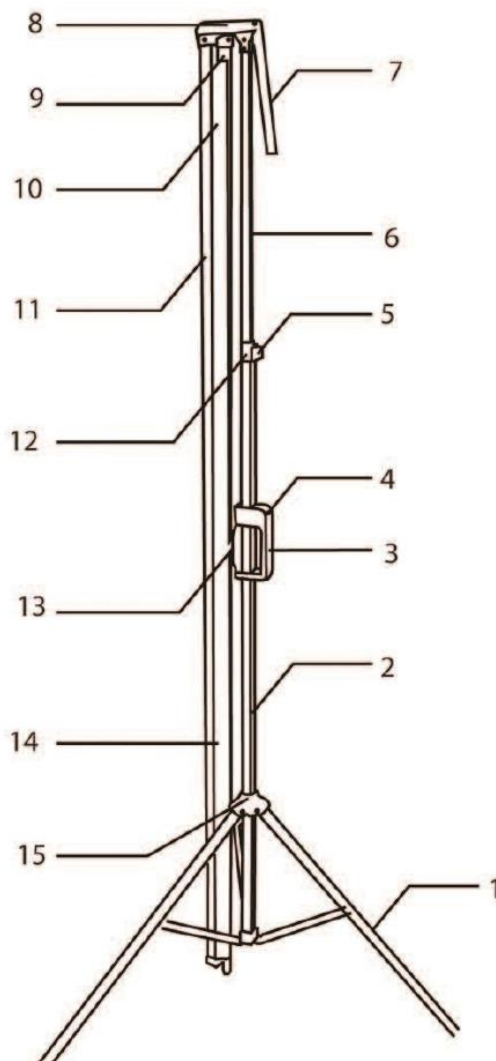
User Manual

A projector screen housed in a white steel case and mounted on a tripod stand. This freestanding unit can be quickly assembled by pulling the screen up and hooking it onto the integral backrest. The screen simply retracts and the stand folds up for protection and storage when not in use. An ideal solution for educational environments, business presentations and home cinema use.

Features:

- All-in-one unit, simple assembly, easy to store when not in use
- Black border enhances the definition of the projected image
- Smooth open & retract mechanism
- Flame retardant and mildew proof

Installation:



- 1 - Tripod**
- 2 - Main support pole**
- 3 - Carry/Adjustment Handle**
- 4 - Housing height adjustment button**
- 5 - Height extension adjustment button**
- 6 - Height extension pole**
- 7 - Hanger extension**
- 8 - Hanger support**
- 9 - Screen support pole**
- 10 - Projector screen**
- 11 - Screen housing**
- 12 - Height extension stopper**
- 13 - Screen housing/Tripod interlock**
- 14 - Hang Strip**
- 15 - Tripod Claw**

1. Stand unit vertically & push the tripod claw (15) downward fully to open the tripod stand (1).
2. Press the height adjustment button (5) and pull the height extension bar (6) upwards to release the projector screen housing lock.
3. Rotate housing (11) 90° to a horizontal position.
4. The height of the housing can be adjusted by pressing the button (4) and sliding the handle (3) up or down along the main support pole (2).
5. Flip the hanger extension (7) so that it rests on the hanger support (8).
6. Pull screen out of the housing and hook on the hanger using the attached hang strip (14).
7. Screen size can be adjusted by pressing the height extension button (5) and pulling the extension pole (6) upwards.

Please note:

Ensure the unit is not placed near any excessive heat source, such as a fireplace or a radiator. Also ensure you position it away from any walkways or thoroughfare to avoid it becoming a trip hazard.

Maintenance:

Maintenance and service of the unit should not be required throughout the duty life of the product. We recommend dusting on a regular basis using a dry microfibre cloth. To remove any stains on the screen surface, use a slightly damp microfibre cloth with max. 5% soap solution. Always ensure the surface is completely dry before closing the screen.

Warning:

- Do not use this screen if you find that it is damaged in any way.
- Do not attempt to repair this unit or take it apart under any circumstances, as this will invalidate your warranty.

Errors and omissions excepted.

Copyright© 2022 AVSL Group Ltd, Unit 2 Bridgewater Park,
Taylor Road, Trafford Park, Manchester. M41 7JQ.

AVSL (Europe) Ltd, Unit 3D North Point House,
North Point Bus. Park, New Mallow Road, Cork, Ireland.