



## EPS Series

### Electric Projector Screen

#### User Manual

A range of large format projector screens with built-in electric motor controlled via the in-line switch or remote control. The screen is housed in a white steel case with mounting brackets on either end, allowing installation onto ceilings or walls. The screen itself has a weighted bottom bar to prevent the screen jamming in the case or curling. Various sizes available for all types of installation such as classrooms, auditoriums or places of worship.

#### CAUTION!

Please read through this manual carefully before use. This product is strictly for indoor use only, please install this product in a dry, cool environment and away from sources of heat.

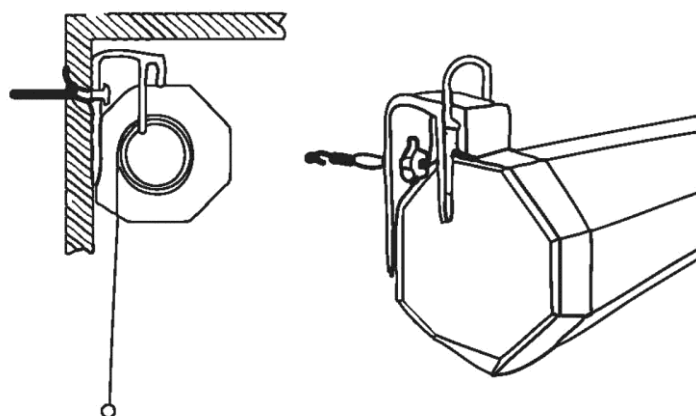
#### Features:

- Fitted with In-line control switch
- RF remote control included
- Black border enhances the definition of the projected image
- Adjustable drop and retract distance limiter
- Flame retardant and mildew proof
- Low noise electric motor
- Available in 4:3 and 16:9 formats

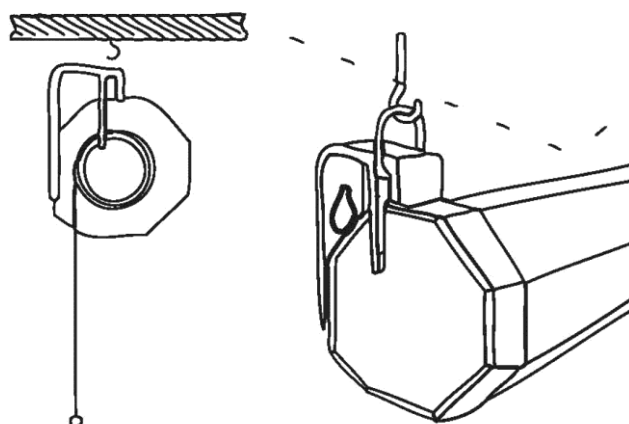
#### Installation:

Before installation, please ensure a mains socket is available within 1.5m distance of where the inline controller is going to be installed and ensure the unit is not plugged in during the process of installation. This electric projector screen is suitable for both wall and suspended ceiling mounting, it is important the unit is installed accurately using a spirit level to ensure the screen can operate correctly & safely.

#### Wall Mounting

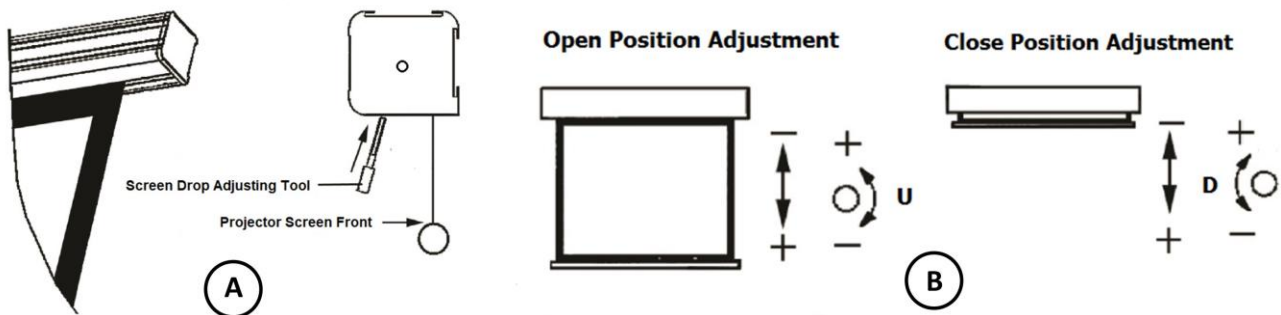


#### Ceiling Mounting



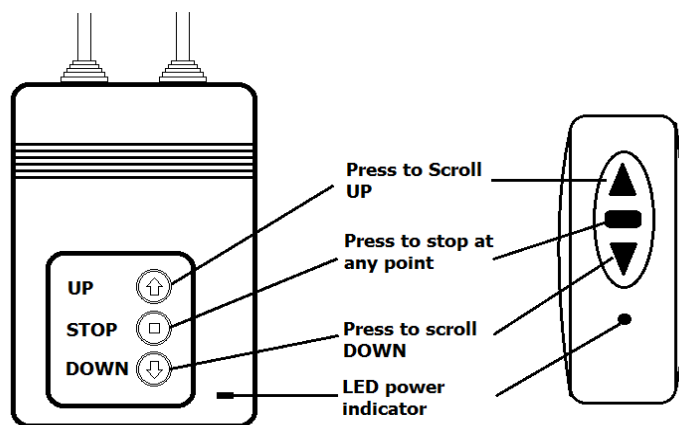
#### Screen drop adjustment:

All electric projector screens will be pre-adjusted before delivery. If adjustment is needed to suit your application, please ensure the unit is switched off before you proceed. The drop adjusting screws are located at the right-hand end of the projector screen (see diagram A below). A screen drop adjusting tool is included for the adjustment. Two separate screws set the open and close positions and need to be turned to adjust the limits according to the below diagram B.



**Remote controls:**

This projector screen is supplied with an in-line controller and RF remote control to operate the screen. Operation functions can be seen in the below diagram.



**Maintenance:**

Maintenance and service of the unit should not be required throughout the duty life of the product. We recommend dusting on a regular basis using a dry microfibre cloth. To remove any stains on the screen surface, use a slightly damp microfibre cloth with max. 5% soap solution. Always ensure the surface is completely dry before closing the screen.

Please do not open the cover as it contains high voltage.  
 This product is not serviceable or repairable by the end user.  
 Please contact an approved professional in case  
 product fails to operate.



This product is classed as Electrical or Electronic equipment and should not be disposed with other household or commercial waste at the end of its useful life. The goods must be disposed of according to your local council guidelines.

**Errors and omissions excepted.**

Copyright© 2022 AVSL Group Ltd, Unit 2 Bridgewater Park, Taylor Road, Trafford Park, Manchester. M41 7JQ.

AVSL (Europe) Ltd, Unit 3D North Point House, North Point Bus. Park, New Mallow Road, Cork, Ireland.